



Q.ANTUM Q.PLUS-DUO 300W SOLAR PANELS

Q.PLUS-DUO BFR-G5 300

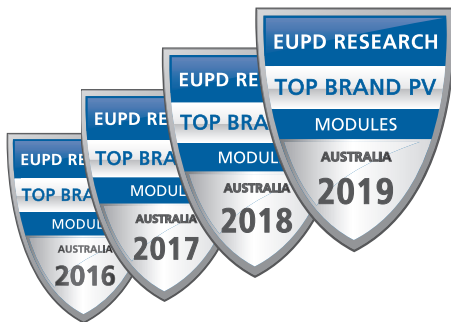
The Q.PLUS-DUO 300W panel is the ideal solution for all applications, thanks to its innovative Q.ANTUM half-cell technology. It is designed to achieve the best performance under real conditions - even with low radiation intensity and on clear, hot summer days.

Q Cells offers German engineering quality with superior yield security.



Q CELLS
YIELD SECURITY

- ✓ ANTI PID TECHNOLOGY (APT)
- ✓ HOT-SPOT PROTECT (HSP)
- ✓ TRACEABLE QUALITY (TRA.Q™)
- ✓ ANTI LID TECHNOLOGY (ALT)



Q CELLS



**Q.ANTUM TECHNOLOGY
FOR HIGHER YIELD
PER SURFACE AREA**

HOW YOU BENEFIT



INNOVATIVE

Innovative all-weather technology with excellent low-light and temperature behaviour.



HIGH PERFORMANCE

Long-term yield security with anti-LID and anti-PID Technology[^], Hot-Spot Protect and Traceable Quality Tra.Q™.



EXTREME WEATHER RATING

High-tech aluminium alloy frame, certified for high wind loads (4000 Pa).



LEASING OPTIONS

Solahart offers a range of competitive leasing options.

Technical Data

MODEL

Q.ANTUM Q.PLUS DUO BFR-G5 - 300W SOLAR PANEL

Mechanical Data

Dimensions (H x W x D)	1685 x 1000 x 32 mm
Weight	18.7 Kg
Front Cover	3.2 mm thermally pre-stressed glass with anti-reflection technology
Back Cover	Composite film
Frame	Black Anodised Aluminium
Cell	6 x 20 multicrystalline Q.ANTUM solar half-cells
Junction Box	Protection class \geq IP67, with bypass diodes
Cable	4 mm ² solar cable; (+) \geq 1100 mm, \geq (-) 1100 mm
Connector	Multi-Contact MC4, IP68

Electrical Data

Minimum performance at standard test conditions, STC ⁽¹⁾ (Power Tolerance +5 W / -0 W)		Minimum performance at normal module operating temperature, NMOT ⁽³⁾	
Power at MPP ⁽²⁾ - P _{MPP}	300 W _p	Power at MPP - P _{MPP}	224.3 W _p
Short circuit current [#] - I _{sc}	9.87 A	Short circuit current [#] - I _{sc}	7.95 A
Open circuit voltage [#] - V _{oc}	39.00 V	Open circuit voltage [#] - V _{oc}	36.69 V
Current at MPP [#] - I _{MPP}	9.35 A	Current at MPP [#] - I _{MPP}	7.35 A
Voltage at MPP [#] - V _{MPP}	32.10 V	Voltage at MPP [#] - V _{MPP}	30.53 V
Efficiency - η	\geq 17.8 %		

⁽¹⁾ 1000 W/m², 25 \pm 2°C, spectrum AM 1.5 ⁽²⁾ Measurement tolerances at STC P_{MPP} \pm 3%; I_{sc}; V_{oc} \pm 5% ⁽³⁾ 800W/m², NMOT, spectrum AM 1.5 [#] Typical values, actual values may differ.

Properties for System Design

Permitted module temperature on continuous duty	-40°C up to +85°C
Maximum system voltage - V _{sys}	1000 V
Maximum reverse current - I _r	20 A
Wind/snow load (in accordance with IEC 61215)	4000 / 5400 Pa
Safety class	II
Fire rating	C

Temperature Coefficients

Nominal module operating cell temperature (NMOT)	43 \pm 3°C
Temperature coefficient of P _{MPP} - γ	-0.37 % / °C
Temperature coefficient of V _{oc} - β	-0.28 % / °C
Temperature coefficient of I _{sc} - α	+0.04 % / °C

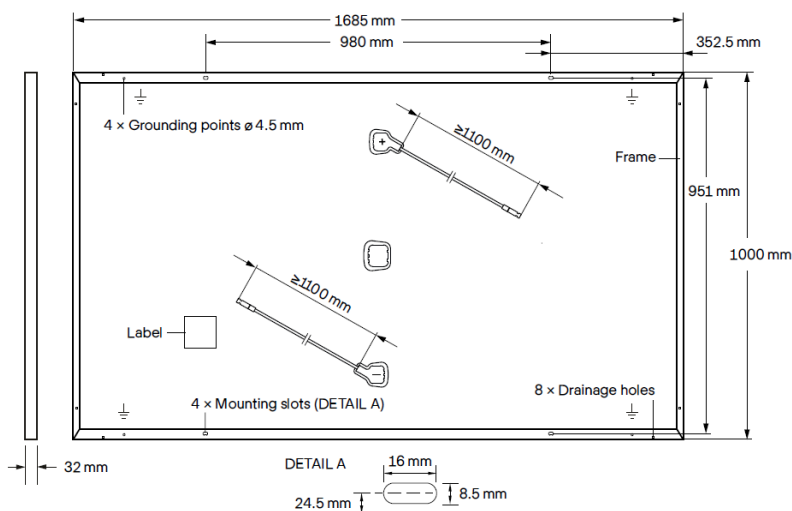
Qualifications and Certificates

IEC 61215:2016; IEC 61730:2016, Application class II.

Product Warranty

Solahart Warranty*	5 Years
Manufacturer's Warranty	12 Years

Dimensions - Measurements in mm



*For full details see Solahart Owner's Guide & Installation Instructions. ^APT test conditions according to IEC/TS 62804-1:2015, method B (-1500 V, 168 h).

Specifications and designs included in this data sheet are subject to change without notice.

Solahart Australia 1300 769 475 | www.solahart.com.au

Reorder code: SHDS/PV_QPLUS DUO IH0113_Q.CELLS_Q.PLUS DUO BFR-G5_300W_December_2019